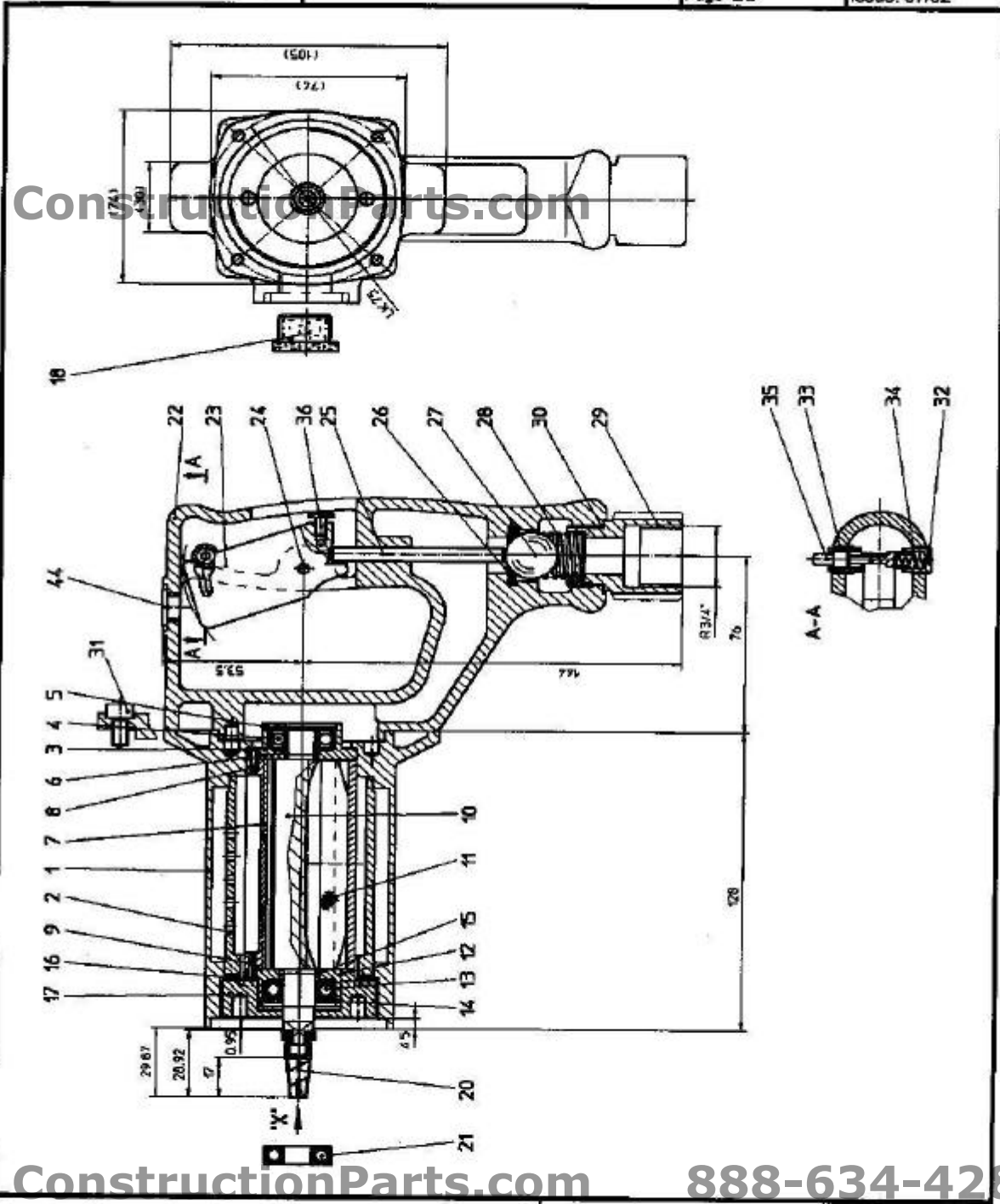


SPARE PARTS LIST

DESCRIPTION	TYPE:
Motor with Handle	5 1216 1600
Page 2/2	Issue: 07/02



ConstructionParts.com 888-634-4289

AIR RECIP SAW 51216 0020

*Prices to change without notice.
Not responsible for typographical errors.*

<u>POS. NO.</u>	<u>ITEM NO.</u>	<u>DESCRIPTION</u>	
	5 1216 1000	Motor Assembly	Consist of Items 1-21
	5 1216 6000	Handle Assembly	Consists of Items 22-35 + 44
8 + 9	9 1630 0440	Screw	
1	5 1216 1010	Motor Housing	
2	5 1216 1710	Muffler	
3	1 1430 1110	End Plate	
4	9 1003 0010	Bearing	4-17-01-010-05-4
5	9 1703 0050	Ring, Snap	4-26-16-001-00-5
6	1 1430 1080	Distance Ring	
7	5 6030 1020	Cylinder Bushing	
10	5 1216 1030	Rotor	
11	5 6101 1050	Vane (5 Required)	
12	5 6030 1100	End Plate	
13	9 1003 0370	Bearing	4-17-01-010-03-2
14	9 1703 0070	Ring, Snap	4-26-16-027-009
15	5 1202 1080	Shim	3-13-05-183-00-9
16	9 1901 4950	O-Ring	
17	5 1216 1120	Motor Cap	
18	9 3801 1210	Muffler	
20	5 1216 4170	Pinion	
21	9 1003 0470	Grooved Ball Bearing	
22	5 1216 6910	Handle	
23	5 6003 3040	Valve Trigger	
24	9 1641 0020	Pin, Notched	
25	9 1637 1730	Pin, cylindrical	
26	9 1903 0990	Sealing Ring	
27	9 1017 0070	Ball	3-13-05-203-00-3
28	9 1803 1210	Spring	
29	9 2205 1510	Nipple	
30	9 1901 3140	O-Ring	
31	9 1110 4010	Screw	
32	5 6011 3160	Bushing	
33	5 6011 3170	Guiding Bushing	
34	9 1803 3360	Compression Spring	
35	5 6011 3150	Lock Bolt	
36	9 1166 0170	Screw	
44	9 3401 0790	Plug	

SPARE PARTS LIST

DESCRIPTION

Gearbox

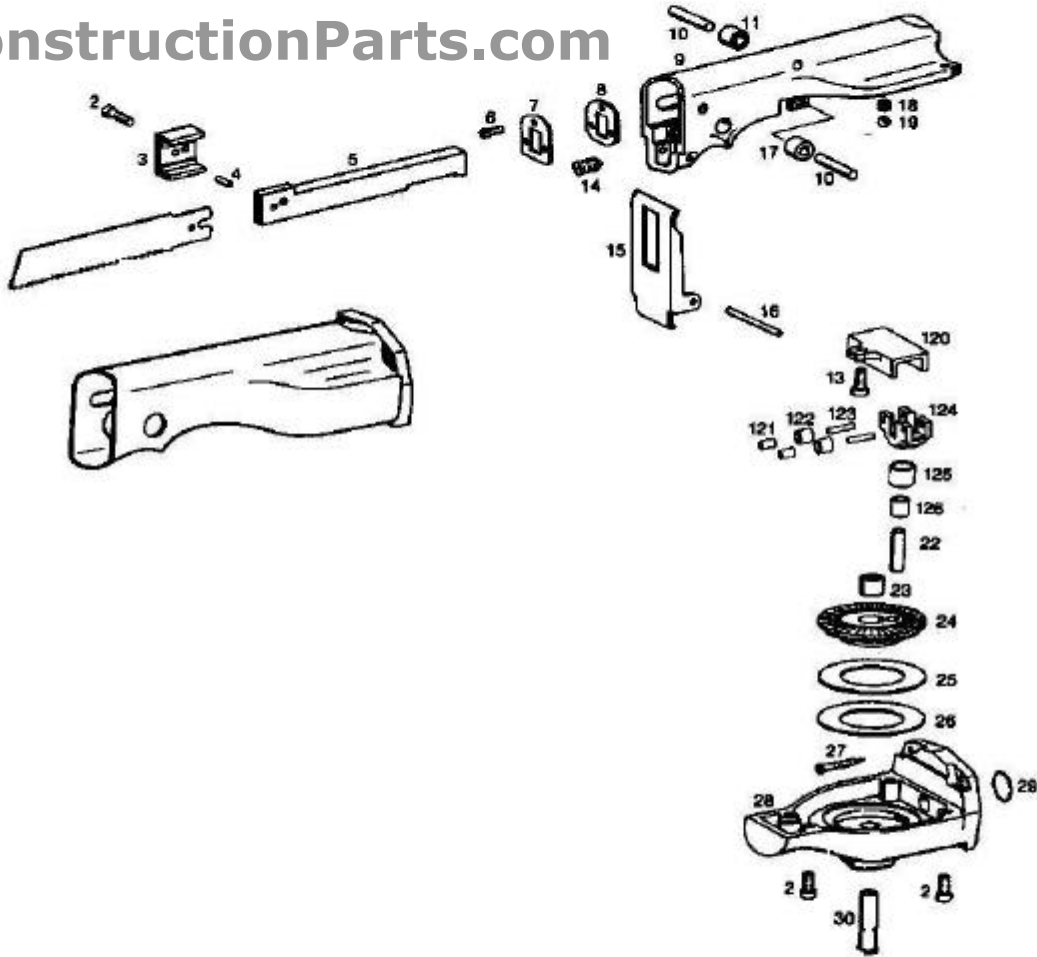
TYPE:

5 1216 4000

Page 2/2

Issue: 03/02

ConstructionParts.com



ConstructionParts.com

888-634-4289

AIR RECIP SAW 51216 0020

*Prices to change without notice.
Not responsible for typographical errors.*

<u>POS. NO.</u>	<u>ITEM NO.</u>	<u>DESCRIPTION</u>	
	5 1216 4920	Gearbox Casing 1 Complete	
	5 1216 4930	Bevel Gear Complete	with Items 22+23
	5 1216 4950	Connecting Rod Assy.	Consisting of Item 4 & 5
	5 1216 4970	Needle Bearing Assy.	with Items 121-123
	5 1216 7920	Thrust Piece Complete	REPLACES-512167060& 91630
1	5 1216 9010	Protecting Cover	
2	9 1110 3120	Screw	4-30-35-093-05-2
3	5 1216 7060	PART OF 5 1216 7920	
4	9 1630 0360	Spiral Pin	
5	5 1216 4260	Connecting Rod	
6	9 1110 1040	Fillister Head Screw	
7	5 1216 4310	Cover	
8	5 1216 4320	Seal	
9	5 1216 4010	Gear Housing 2	
10	9 1631 0150	Straight Pin	
11	9 1013 0450	Needle Bearing	
13	9 1110 3080	Fillister Head Screw	
14	9 1810 0080	Strong Pressure Piece	
15	5 1216 7070	Supporting Shoe	
16	9 1630 0870	Spiral Pin	
17	5 1216 4180	Sliding Roller	
18	9 1803 4360	Pressure Spring	
19	9 1017 0050	Ball	3-13-05-193-00-8
22	9 1637 2220	Straight Pin	
23	9 1014 0230	Needle Bushing	
24	5 1216 4130	Bevel Gear Assembly.	Position #'s 22,23,24
25	9 1024 0400	Axial Needle Bearing	
26	9 1024 0410	Axial Disk	
27	9 1110 3100	Screw	
28	5 1216 4210	Gear Housing	
29	9 1921 1430	O-Ring	
30	5 1216 4170	Pinion	
120	5 1216 4370	Roller Guide	
121	9 1015 1130	SEE # 5 1216 4970	
122	5 1216 4380	USE # 5 1216 4970 - Can't be	sold separately
123	9 1016 0280	Pin	
124	5 1216 4410	Roller Holder	
125	5 1216 4480	Outer Ring	
126	9 1014 0120	Needle Bushing	